

INSTALLATION INSTRUCTIONS FOR INSTALLING THE BLOWER ON A GRANDVIEW™ 230 WOODSTOVE



KIT CONTENTS

Please ensure that all these parts are included

- 1 ea. Blower w/snap switch assembly
- 6 ea. 10-24 Screws
- 4 ea. Tinnerman nuts

Grandview™ Blower Kit		
Cat. No.	Model	Description
H8350	BLWR-GV-700-SS	Blower

TOOLS NEEDED

- Flat Head Screwdriver
- 5/32" Allen Wrench
- 1/8" Allen Wrench

GENERAL INFORMATION

If you encounter any problems, need clarification of these instructions or are not qualified to properly install this kit, contact your local distributor or dealer.

Read this instruction sheet in its entirety before beginning the installation.

ALL WARNINGS, PRECAUTIONS AND INSTRUCTIONS IN THE INSTALLATION AND OPERATION MANUAL PROVIDED WITH THE APPLIANCE APPLY TO THESE INSTRUCTIONS.

Check the contents of the kits upon receipt and check for any damaged or missing parts. If there is hidden damage, notify your freight company or Lennox Hearth Products dealer immediately.

CAUTION: Wear gloves during installation in case of sharp edges on the stove.

INSTALLATION INSTRUCTIONS

- Step 1.** Remove round knockout plate on back of stove by removing the screw on the top of the knockout with a 5/32" allen wrench. You can then push on the top and bottom of the plate to loosen for removal.
- Step 2.** Install the four supplied flat Tinnerman nuts into the four rectangular slots on the back of the stove. Use of a flat head screw driver will be necessary.

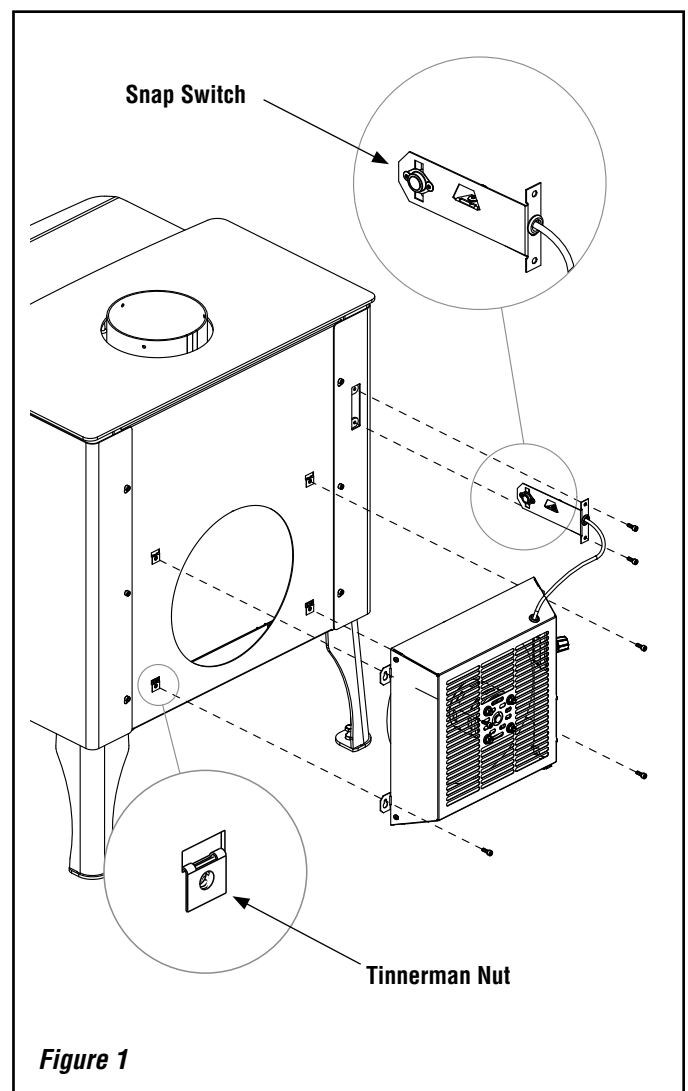


Figure 1

- Step 3.** Install the four supplied allen screws into tinnerman nuts, leaving loose. A 1/8" allen wrench will be necessary.
- Step 4.** Place blower keyhole mounting slots onto the four installed screws and slide assembly downward, ensuring all mounting screws are holding blower in place. Tighten all four screws snugly. NOTE* POWER CORD WILL BE ON THE BOTTOM.
- Step 5.** Install temperature activated switch bracket into rectangle cutout, in the upper right corner on rear of stove, with wires facing outward from the actual firebox. Secure with the larger two supplied allen screws. A 5/32" allen wrench will be necessary. NOTE* ENSURE TEMPERATURE ACTIVATED SWITCH IS MAKING FIRM, FLAT CONTACT WITH SIDE OF FIREBOX.
- Step 6.** Plug power cord into 120V wall outlet.

BLOWER OPERATION

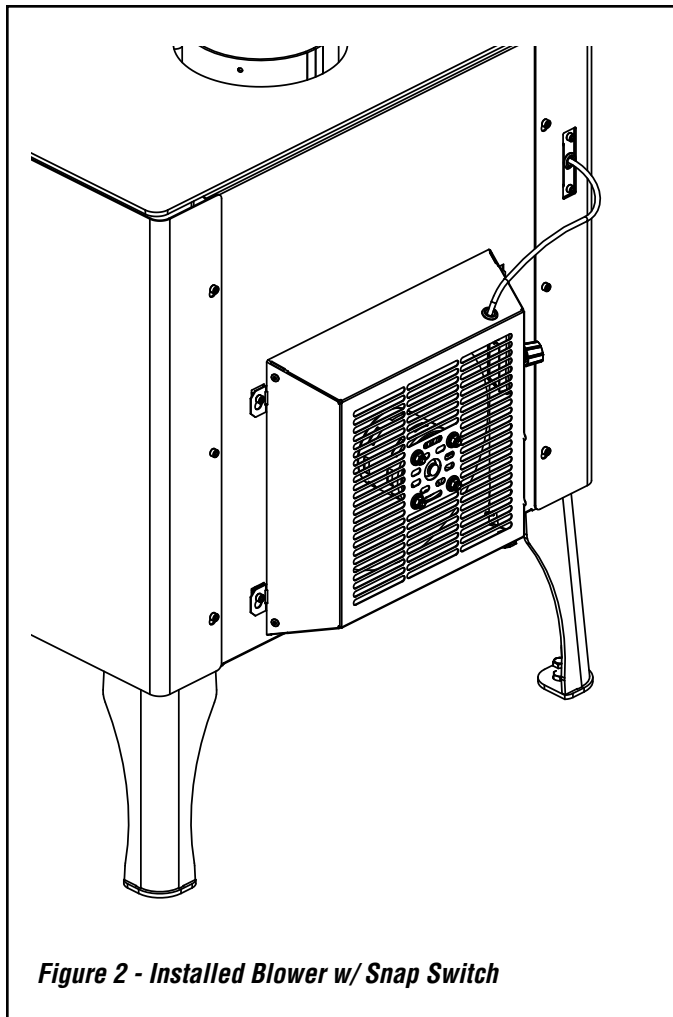
The blower can be operated in either manual or automatic mode. When operated automatically, the blower will turn on when the stove is hot, and turn off when the stove is cool.

MANUAL OPERATION

Flip blower mode switch to the manual position (up) and adjust blower speed dial to desired setting. to turn blower off, rotate blower speed dial counter clockwise until it clicks "OFF".

AUTO OPERATION

Flip blower mode switch to auto position and turn blower speed dial clockwise until it clicks out of the "off" position. When the stove warms up (approx. 15-20 Mins), the blower will automatically turn on (adjust blower speed dial to desired speed setting. When the stove cools down, the blower will automatically turn off.



NOTE: DIAGRAMS AND ILLUSTRATIONS ARE NOT TO SCALE.

Lennox Hearth Products reserves the right to make changes at any time, without notice, in design, materials, specifications, prices and also to discontinue colors, styles and products. Consult your local distributor for fireplace code information.

LENNOX
HEARTH PRODUCTS